

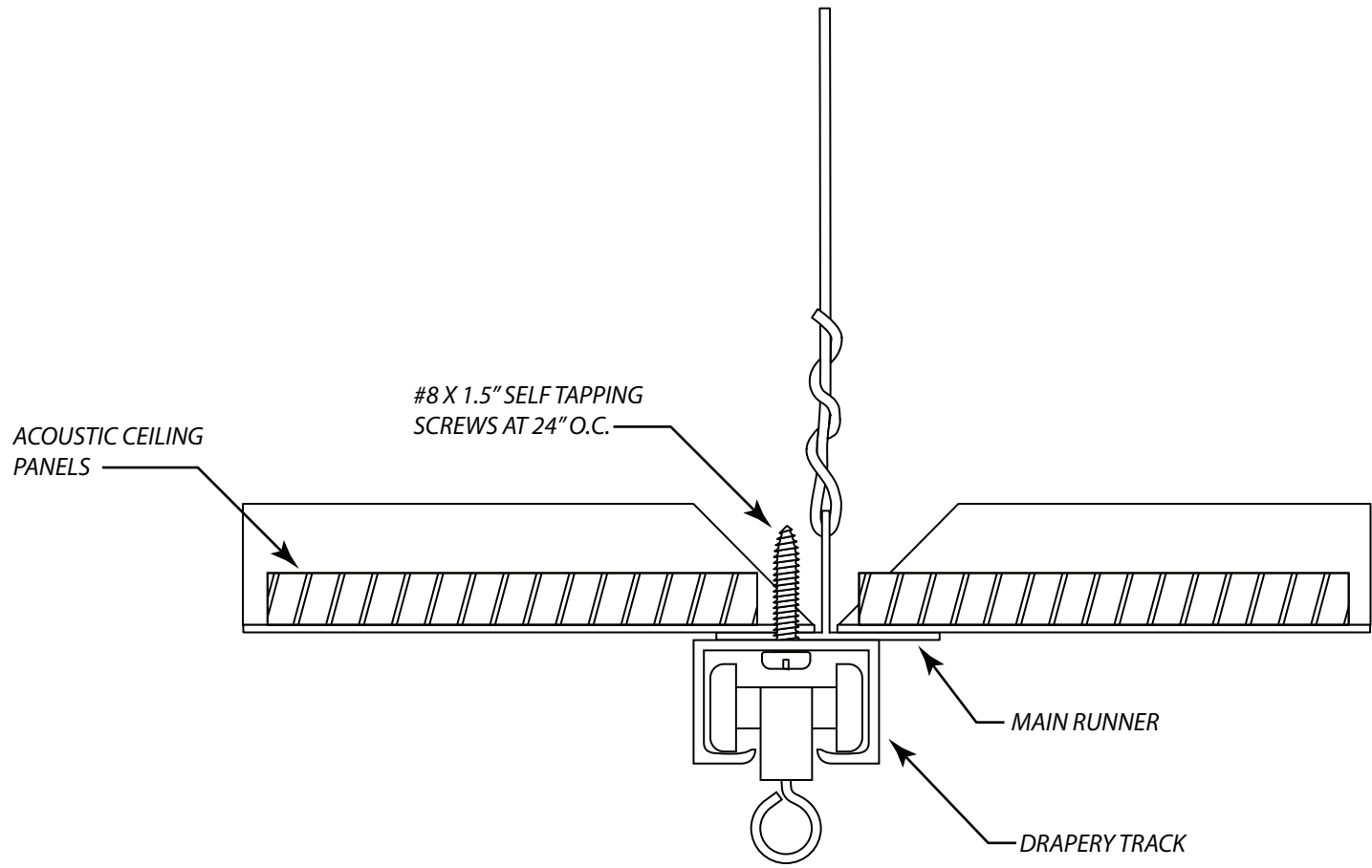


# DRAPERY TRACKING INSTALLATION INSTRUCTIONS

## ***5000 SERIES – DROP CEILING GRID INSTALLATION***

The tools and materials that are required to install cubicle track will vary depending upon the ceiling type. Diamond Drapery does not provide the fasteners or the tools that are required to install cubicle track. Diamond Drapery does not assume liability on any installation method. The techniques listed here are merely industry recommendations.

1. Place the privacy track on the floor. Lay out the configurations to ensure that the track is positioned exactly where it is desired.
2. Begin on one end of the track; and mark the holes on the ceiling. Repeat this process on the track as well. Note: track should be secured at 24"- 30" intervals beginning on one end of the track.
3. Decide which end of the track will receive the end stop with pull-out.
4. Pre-drill the track. Anchor track via a 2" #8 self tapping screw hex head or pan head recommended. Track will be anchored directly to the drop ceiling grid.
5. If the track is spliced, check to ensure that there are no obstructions. Then place the track splice over one end of the track and secure via the steps listed above. Slide the other side of the track into the splice and secure with a fastener. This will ensure that the carriers will not bind at this location.
6. Make sure that both ends of the tracks and the end stops are secured to the ceiling.
7. Remove the pull-out and begin assembly (refer to assembly instructions).



<b>CONFIDENTIAL</b> All materials disclosed in this document are proprietary to Diamond Drapery Co., Inc. The Holder agrees to maintain it in confidence and must not replicate or reveal this information in any manner.	<b>Project:</b> 5000 Series Drapery Tracking System Drop Ceiling Installation	
	<b>Date:</b> 31-MAR-2009	<b>Dimensions:</b> Inches/Feet
	<b>Scale:</b> DO NOT SCALE	<b>By:</b> C. Johnson



7439 Lampson Avenue  
 Garden Grove, CA 92841  
 (714) 761-4543 OFFICE (714) 761-4623 FAX

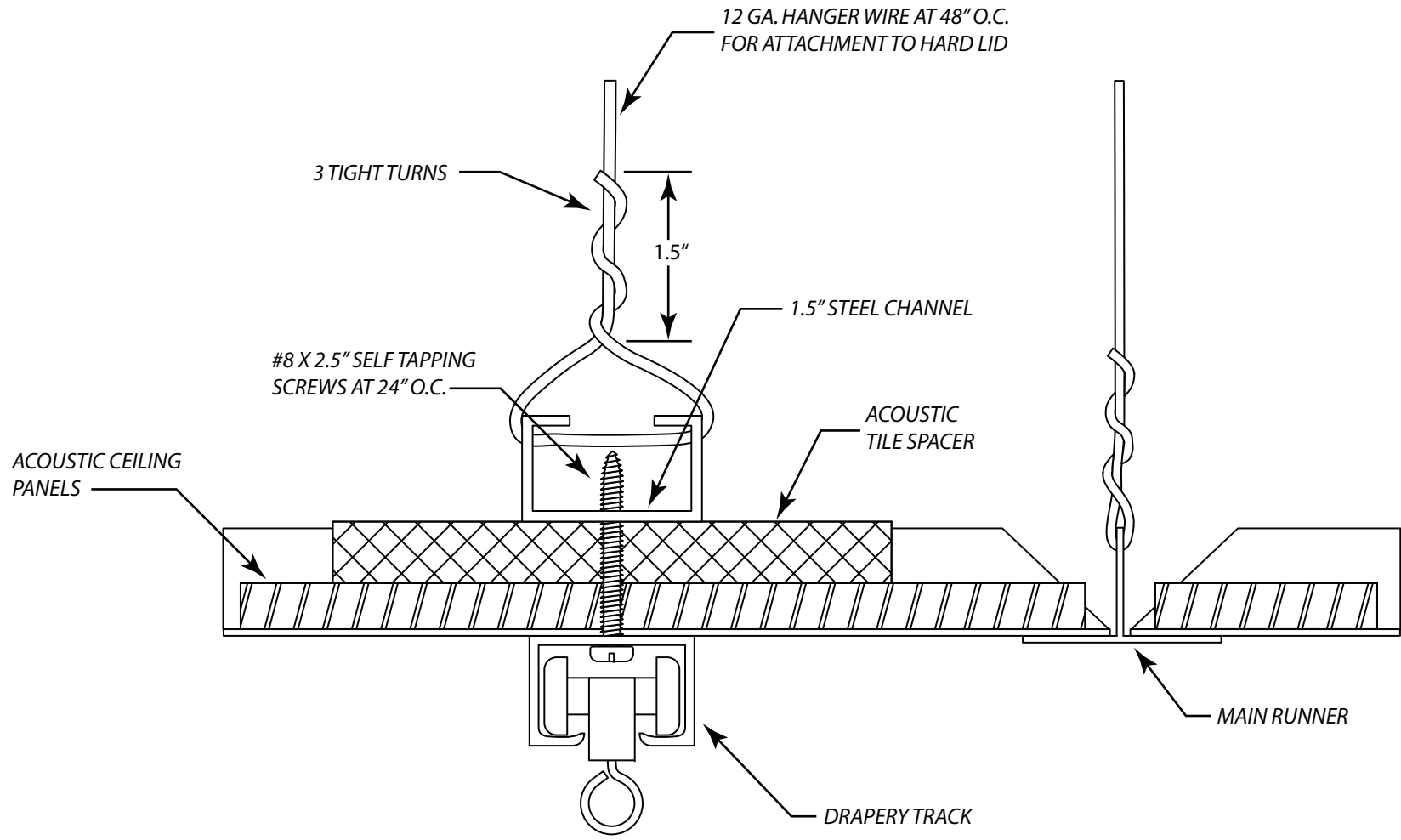



# DRAPERY TRACKING INSTALLATION INSTRUCTIONS

## ***5000 SERIES – DROP CEILING GRID WITH CHANNEL BACKING INSTALLATION***

The tools and materials that are required to install cubicle track will vary depending upon the ceiling type. Diamond Drapery does not provide the fasteners or the tools that are required to install cubicle track. Diamond Drapery does not assume liability on any installation method. The techniques listed here are merely industry recommendations.

1. Place the privacy track on the floor. Lay out the configurations to ensure that the track is positioned exactly where it is desired.
2. Begin on one end of the track; and mark the holes on the ceiling. Repeat this process on the track as well. Note: track should be secured at 24" on center intervals beginning on one end of the track.
3. Decide which end of the track will receive the end stop with pull-out.
4. Pre-drill the track.
5. Decide where the 1 ½" channel will be laid flat directly above the track.
6. Attach 12 gauge hangar wires at 48" intervals on center.
7. Secure hangar wire to the 1 ½" channel backing with three tight turns. Turns should be completed within 1 ½".
8. Anchor track via a 2 ½" #8 self tapping screw hex head or pan head recommended. Track will be anchored directly to the 1 ½" channel. Track must be secured at 24" intervals on center to the 1 ½" channel.
9. If the track is spliced, check to ensure that there are no obstructions. Then place the track splice over one end of the track and secure via the steps listed above. Slide the other side of the track into the splice and secure with a fastener. This will ensure that the carriers will not bind at this location.
10. Make sure that both ends of the tracks and the end stops are secured to the ceiling.
11. Remove the pull-out and begin assembly (refer to assembly instructions).



<b>CONFIDENTIAL</b> All materials disclosed in this document are proprietary to Diamond Drapery Co., Inc. The Holder agrees to maintain it in confidence and must not replicate or reveal this information in any manner.	<b>Project:</b> 5000 Series Drapery Tracking System Drop Ceiling with Backing Installation		 <p>7439 Lampson Avenue          Garden Grove, CA 92841          (714) 761-4543 OFFICE (714) 761-4623 FAX</p>
	<b>Date:</b> 31-MAR-2009	<b>Dimensions:</b> Inches/Feet	
	<b>Scale:</b> DO NOT SCALE	<b>By:</b> C. Johnson	

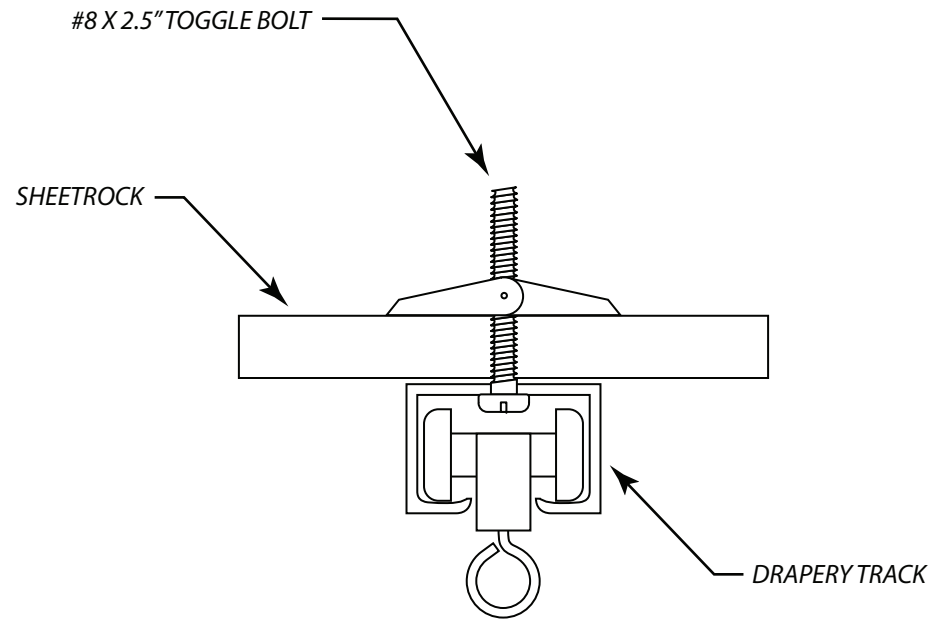


# DRAPERY TRACKING INSTALLATION INSTRUCTIONS

## ***5000 SERIES – SHEETROCK (DRYWALL) INSTALLATION***

The tools and materials that are required to install cubicle track will vary depending upon the ceiling type. Diamond Drapery does not provide the fasteners or the tools that are required to install cubicle track. Diamond Drapery does not assume liability on any installation method. The techniques listed here are merely industry recommendations.

1. Place the privacy track on the floor. Lay out the configurations to ensure that the track is positioned exactly where it is desired.
2. Begin on one end of the track; and mark the holes on the ceiling. Repeat this process on the track as well. Note: track should be secured at 24"- 30" intervals beginning on one end of the track.
3. Decide which end of the track will receive the end stop with pull-out.
4. Pre-drill the ceiling.
5. Pre-drill the track. Anchor track via a 3" hex head bolt and wings. Toggle will be 1/8" in diameter. Slotted hex head or Robertson head is recommended.
6. If the track is spliced, check to ensure that there are no obstructions. Then place the track splice over one end of the track and secure via the steps listed above. Slide the other side of the track into the splice and secure with a fastener. This will ensure that the carriers will not bind at this location.
7. Make sure that both ends of the tracks and the end stops are secured to the ceiling.
8. Remove the pull-out and begin assembly (refer to assembly instructions).



<b>CONFIDENTIAL</b> All materials disclosed in this document are proprietary to Diamond Drapery Co., Inc. The Holder agrees to maintain it in confidence and must not replicate or reveal this information in any manner.	<b>Project:</b> 5000 Series Drapery Tracking System Sheetrock Installation	
	<b>Date:</b> 31-MAR-2009	<b>Dimensions:</b> Inches/Feet
	<b>Scale:</b> DO NOT SCALE	<b>By:</b> C. Johnson



7439 Lampson Avenue  
 Garden Grove, CA 92841  
 (714) 761-4543 OFFICE (714) 761-4623 FAX

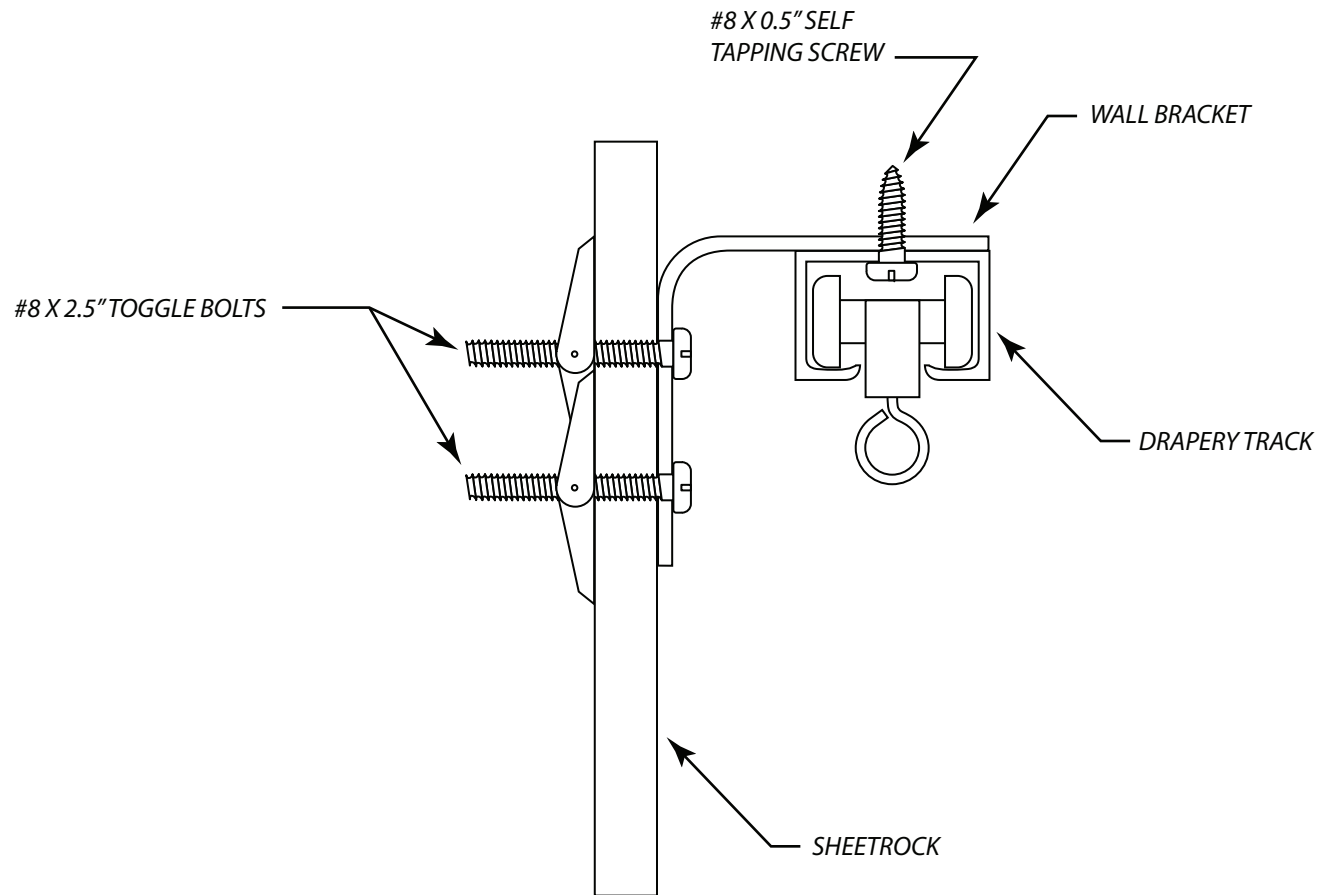



# DRAPERY TRACKING INSTALLATION INSTRUCTIONS

## ***5000 SERIES – SHEETROCK (DRYWALL) WALL INSTALLATION***

The tools and materials that are required to install drapery track will vary depending upon the wall type. Diamond Drapery does not provide the fasteners or the tools that are required to install drapery track. Diamond Drapery does not assume liability on any installation method. The techniques listed here are merely industry recommendations.

1. Place the drapery track on the floor. Lay out the configurations to ensure that the track is positioned exactly where it is desired.
2. Begin on one end of the track; and mark the holes on the wall. Repeat this process on the track as well. Note: track should be secured at 24"- 30" intervals beginning on one end of the track.
3. Pre-drill the wall and anchor 2x2 Wall Brackets (part #5000-31) via a 3" hex head bolt and wings. Toggle will be 1/8" in diameter. Slotted hex head or Robertson head is recommended.
4. Pre-drill the track. Anchor track via a 1/2" #8 self tapping screw hex head or pan head recommended.
5. If the track is spliced, check to ensure that there are no obstructions. Then place the track splice over one end of the track and secure via the steps listed above. Slide the other side of the track into the splice and secure with a fastener. This will ensure that the carriers will not bind at this location.
6. Make sure that both ends of the tracks and the end stops are secured to the wall.



<b>CONFIDENTIAL</b> All materials disclosed in this document are proprietary to Diamond Drapery Co., Inc. The Holder agrees to maintain it in confidence and must not replicate or reveal this information in any manner.	<b>Project:</b> 5000 Series Drapery Tracking System Sheetrock Wall Mount Installation		 7439 Lampson Avenue Garden Grove, CA 92841 (714) 761-4543 OFFICE (714) 761-4623 FAX
	<b>Date:</b> 31-MAR-2009	<b>Dimensions:</b> Inches/Feet	
	<b>Scale:</b> DO NOT SCALE	<b>By:</b> C. Johnson	

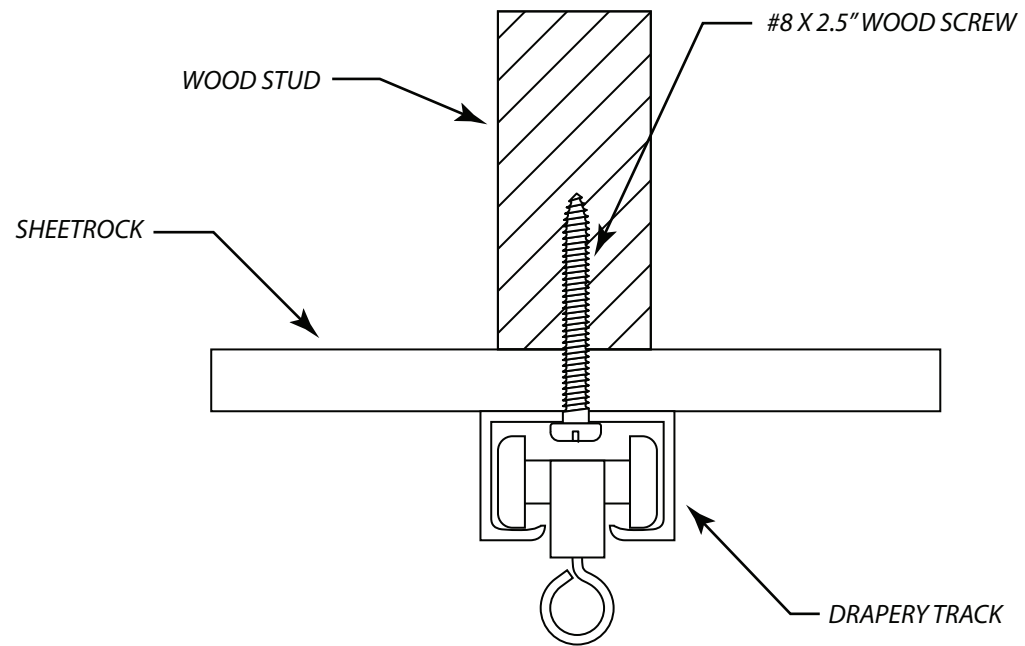


# DRAPERY TRACKING INSTALLATION INSTRUCTIONS

## ***5000 SERIES – WOOD INSTALLATION***

The tools and materials that are required to install cubicle track will vary depending upon the ceiling type. Diamond Drapery does not provide the fasteners or the tools that are required to install cubicle track. Diamond Drapery does not assume liability on any installation method. The techniques listed here are merely industry recommendations.

1. Place the privacy track on the floor. Lay out the configurations to ensure that the track is positioned exactly where it is desired.
2. Begin on one end of the track; and mark the holes on the ceiling. Repeat this process on the track as well. Note: track should be secured at 24"- 30" intervals beginning on one end of the track.
3. Decide which end of the track will receive the end stop with pull-out.
4. Pre-drill the track. Anchor track via a 2" #8 self tapping screw hex head or pan head recommended. Track will be anchored directly to the drop ceiling grid.
5. If the track is spliced, check to ensure that there are no obstructions. Then place the track splice over one end of the track and secure via the steps listed above. Slide the other side of the track into the splice and secure with a fastener. This will ensure that the carriers will not bind at this location.
6. Make sure that both ends of the tracks and the end stops are secured to the ceiling.
7. Remove the pull-out and begin assembly (refer to assembly instructions).



<b>CONFIDENTIAL</b> All materials disclosed in this document are proprietary to Diamond Drapery Co., Inc. The Holder agrees to maintain it in confidence and must not replicate or reveal this information in any manner.	<b>Project:</b> 5000 Series Drapery Tracking System Wood Stud Installation	
	<b>Date:</b> 31-MAR-2009	<b>Dimensions:</b> Inches/Feet
	<b>Scale:</b> DO NOT SCALE	<b>By:</b> C. Johnson

**DIAMOND**  
DRAPERY

7439 Lampson Avenue  
 Garden Grove, CA 92841  
 (714) 761-4543 OFFICE (714) 761-4623 FAX

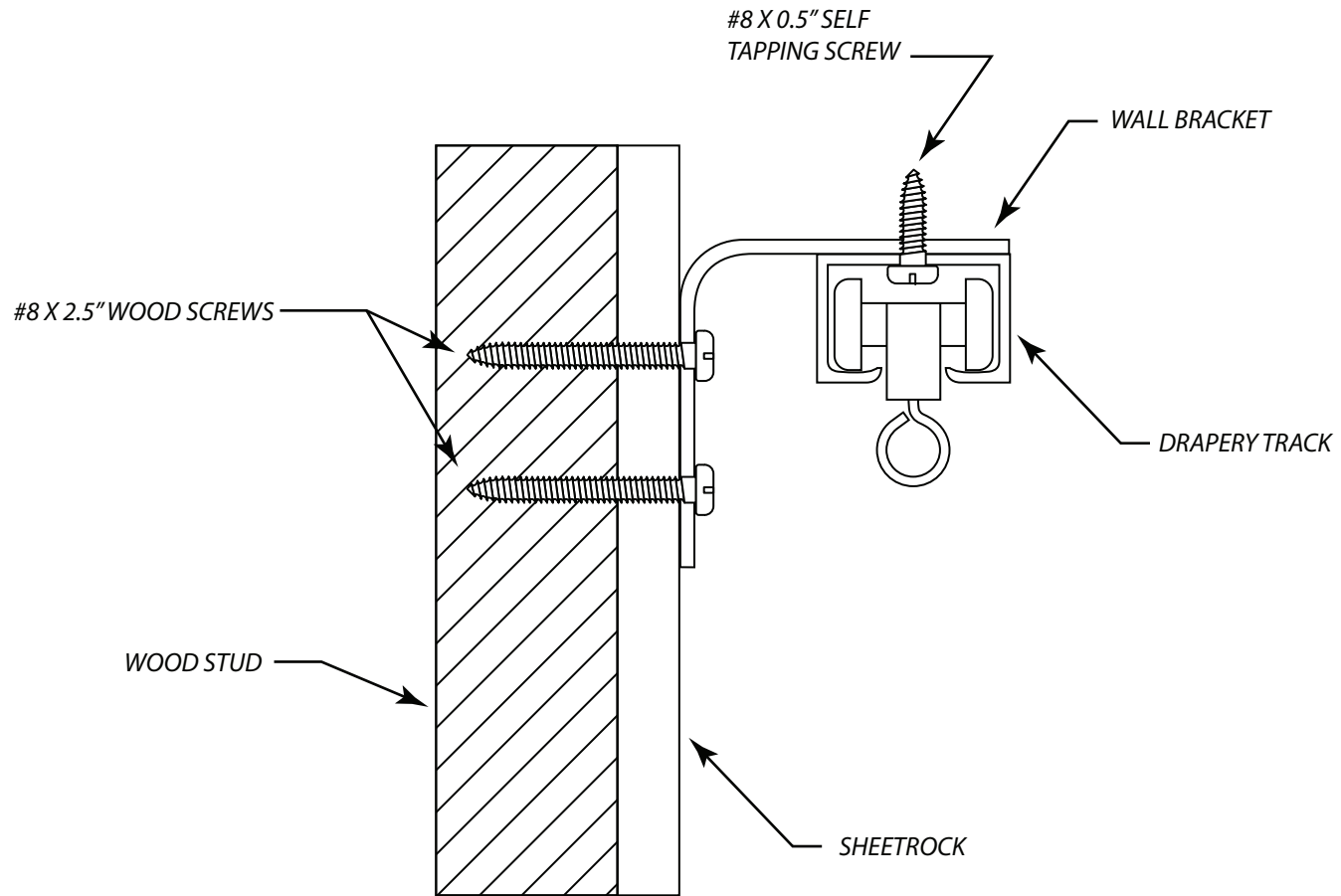


# DRAPERY TRACKING INSTALLATION INSTRUCTIONS

## *5000 SERIES – WOOD WALL INSTALLATION*

The tools and materials that are required to install drapery track will vary depending upon the wall type. Diamond Drapery does not provide the fasteners or the tools that are required to install drapery track. Diamond Drapery does not assume liability on any installation method. The techniques listed here are merely industry recommendations.

1. Place the drapery track on the floor. Lay out the configurations to ensure that the track is positioned exactly where it is desired.
2. Begin on one end of the track; and mark the holes on the wall. Repeat this process on the track as well. Note: track should be secured at 24"- 30" intervals beginning on one end of the track.
3. Pre-drill the wall and anchor 2x2 Wall Brackets (part #5000-31) via two 2" #8 self tapping screw hex heads or pan heads recommended.
4. Pre-drill the track. Anchor track via a 1/2" #8 self tapping screw hex head or pan head recommended.
5. If the track is spliced, check to ensure that there are no obstructions. Then place the track splice over one end of the track and secure via the steps listed above. Slide the other side of the track into the splice and secure with a fastener. This will ensure that the carriers will not bind at this location.
6. Make sure that both ends of the tracks and the end stops are secured to the wall.



<b>CONFIDENTIAL</b> All materials disclosed in this document are proprietary to Diamond Drapery Co., Inc. The Holder agrees to maintain it in confidence and must not replicate or reveal this information in any manner.	<b>Project:</b> 5000 Series Drapery Tracking System Wall Mount Installation	
	<b>Date:</b> 31-MAR-2009	<b>Dimensions:</b> Inches/Feet
	<b>Scale:</b> DO NOT SCALE	<b>By:</b> C. Johnson

7439 Lampson Avenue  
 Garden Grove, CA 92841  
 (714) 761-4543 OFFICE (714) 761-4623 FAX



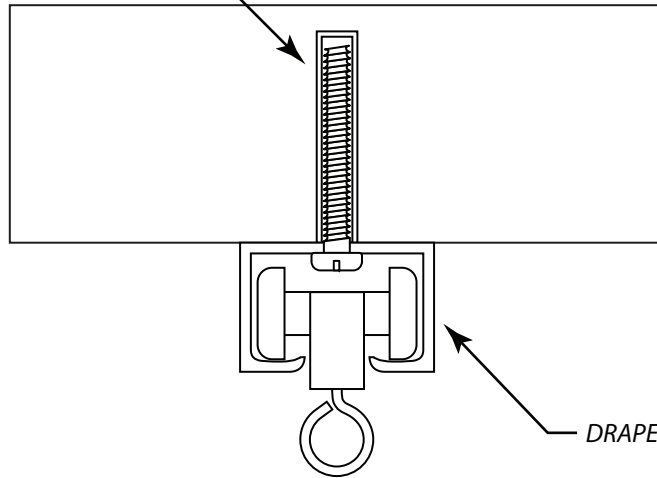
# DRAPERY TRACKING INSTALLATION INSTRUCTIONS

## ***5000 SERIES – CONCRETE INSTALLATION***

The tools and materials that are required to install cubicle track will vary depending upon the ceiling type. Diamond Drapery does not provide the fasteners or the tools that are required to install cubicle track. Diamond Drapery does not assume liability on any installation method. The techniques listed here are merely industry recommendations.

1. Place the privacy track on the floor. Lay out the configurations to ensure that the track is positioned exactly where it is desired.
2. Begin on one end of the track; and mark the holes on the ceiling. Repeat this process on the track as well. Note: track should be secured at 24"- 30" intervals beginning on one end of the track.
3. Decide which end of the track will receive the end stop with pull-out.
4. Pre-drill the ceiling. Insert a 1 ¼" concrete anchor.
5. Pre-drill the track. Anchor track via a 1 ¼" #8 self tapping screw hex head or pan head recommended.
6. If the track is spliced, check to ensure that there are no obstructions. Then place the track splice over one end of the track and secure via the steps listed above. Slide the other side of the track into the splice and secure with a fastener. This will ensure that the carriers will not bind at this location.
7. Make sure that both ends of the tracks and the end stops are secured to the ceiling.
8. Remove the pull-out and begin assembly (refer to assembly instructions).

CONCRETE ANCHOR



DRAPERY TRACK

**CONFIDENTIAL**

All materials disclosed in this document are proprietary to Diamond Drapery Co., Inc. The Holder agrees to maintain it in confidence and must not replicate or reveal this information in any manner.

**Project:**  
5000 Series Drapery Tracking System  
Concrete Installation

**Date:**  
31-MAR-2009

**Dimensions:**  
Inches/Feet

**Scale:**  
DO NOT SCALE

**By:**  
C. Johnson



7439 Lampson Avenue  
Garden Grove, CA 92841  
(714) 761-4543 OFFICE (714) 761-4623 FAX

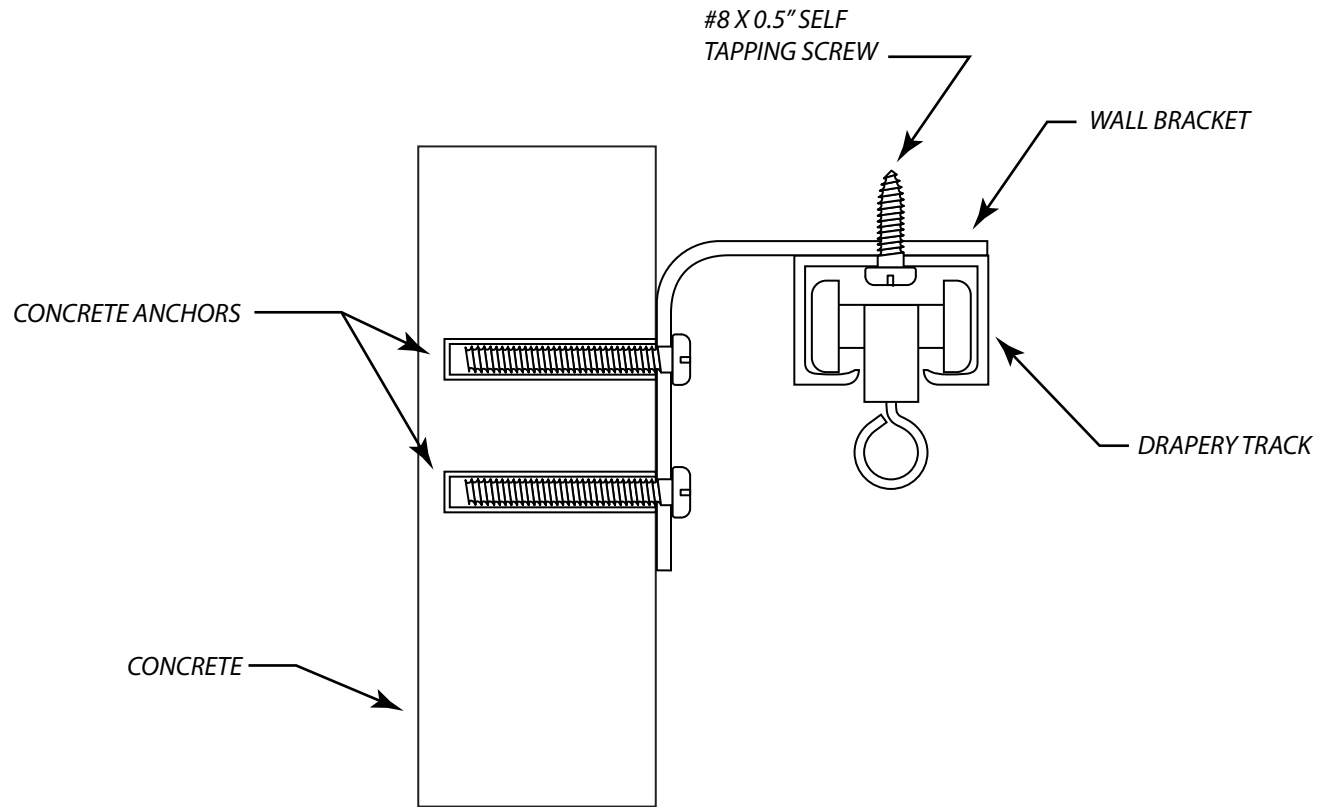


# CUBICLE TRACKING INSTALLATION INSTRUCTIONS

## ***5000 SERIES – CONCRETE WALL INSTALLATION***

The tools and materials that are required to install drapery track will vary depending upon the wall type. Diamond Drapery does not provide the fasteners or the tools that are required to install drapery track. Diamond Drapery does not assume liability on any installation method. The techniques listed here are merely industry recommendations.

1. Place the drapery track on the floor. Lay out the configurations to ensure that the track is positioned exactly where it is desired.
2. Begin on one end of the track; and mark the holes on the wall. Repeat this process on the track as well. Note: track should be secured at 24"- 30" intervals beginning on one end of the track.
3. Pre-drill the wall. Insert a 1 ¼" concrete anchor.
4. Anchor 2x2 Wall Bracket (part #5000-31) via a 1 ¼" #8 self tapping screw hex head or pan head recommended.
5. Pre-drill the track. Anchor track via a 1/2" #8 self tapping screw hex head or pan head recommended.
6. If the track is spliced, check to ensure that there are no obstructions. Then place the track splice over one end of the track and secure via the steps listed above. Slide the other side of the track into the splice and secure with a fastener. This will ensure that the carriers will not bind at this location.
7. Make sure that both ends of the tracks and the end stops are secured to the wall.



<b>CONFIDENTIAL</b> All materials disclosed in this document are proprietary to Diamond Drapery Co., Inc. The Holder agrees to maintain it in confidence and must not replicate or reveal this information in any manner.	<b>Project:</b> 5000 Series Drapery Tracking System Concrete Wall Mount Installation	
	<b>Date:</b> 08-APR-2010	<b>Dimensions:</b> Inches/Feet
	<b>Scale:</b> DO NOT SCALE	<b>By:</b> C. Johnson



7439 Lampson Avenue  
 Garden Grove, CA 92841  
 (714) 761-4543 OFFICE (714) 761-4623 FAX