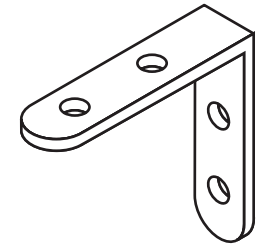
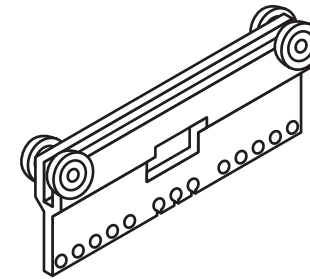


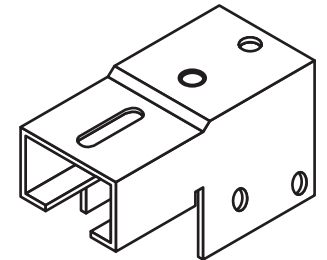
Splice
5000-05



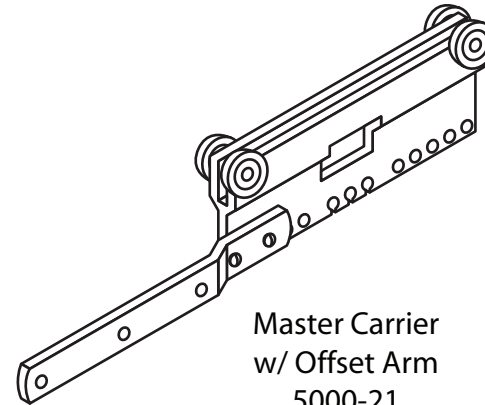
2" x 2" Wall Bracket
5000-31



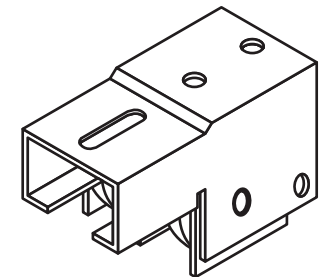
Master Carrier
5000-22



End Pulley
5000-25



Master Carrier
w/ Offset Arm
5000-21



End Pulley - Cord Side
5000-24

Drapery Track:

Diamond Drapery 5000 Series
Clear Anodized Aluminum

Carrier:

Diamond Drapery 5000-01RNG Ring Carrier
Celon body and wheels with nickel plated hook.

Other Parts:

Diamond Drapery master carriers, offset arm, and end pulleys.

** Approximate distance from top of track to bottom of pin. Distance may vary slightly due to pin shape and drapery hang.

<p>CONFIDENTIAL All materials disclosed in this document are proprietary to Diamond Drapery Co., Inc. The Holder agrees to maintain it in confidence and must not replicate or reveal this information in any manner.</p>	<p>Project: 5000 Series Drapery Tracking System Pinch Pleat with Ring Carriers</p>	
	<p>Date: 27-MAR-2009</p>	<p>Dimensions: Inches/Feet</p>
	<p>Scale: DO NOT SCALE</p>	<p>By: C. Johnson</p>

