

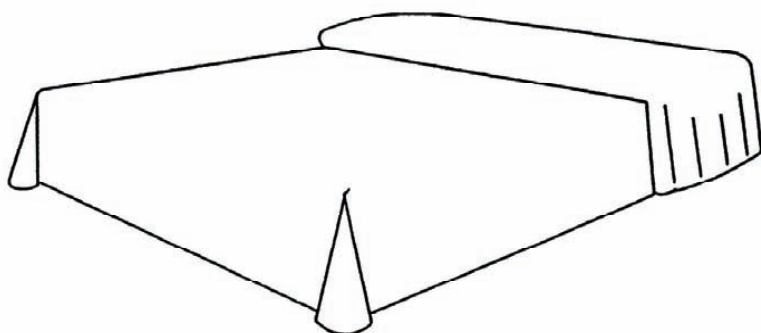
BEDSPREAD STYLES

STANDARD THROW

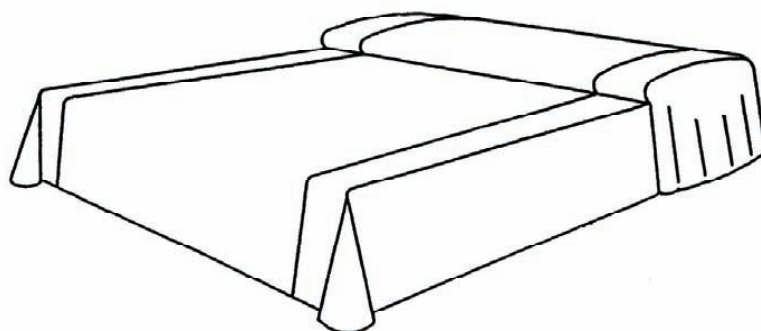
The Throw Bedspread is our traditional style bedcovering.

- Bedspread drops extend to floor
- Bell corners at the foot of the bed
- Standard pillow tuck approximate 16" included in length
- Poly/cotton backing
- Standard 7 ounce fill with optional 8 or 10 ounce

Shown here is a seamless bedspread made with 126" fabric. The maximum total finished length is 118" with a 7 ounce fill.



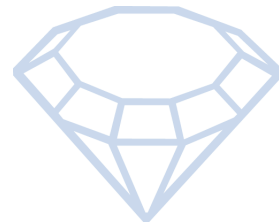
Shown here is a bedspread made with inserts from 54" fabric. The pattern is not matched at the seams.



Standard coverlets are ordered at the same width and length specified, but with a 13" drop.

STANDARD BEDSPREAD SIZES

	Width	Length	Drop
<i>Twin (extra long)</i>	39"	80"	20"
<i>Double (extra long)</i>	54"	80"	20"
<i>Queen</i>	60"	80"	20"
<i>Dual King</i>	76"	80"	20"
<i>Cal King</i>	72"	84"	20"



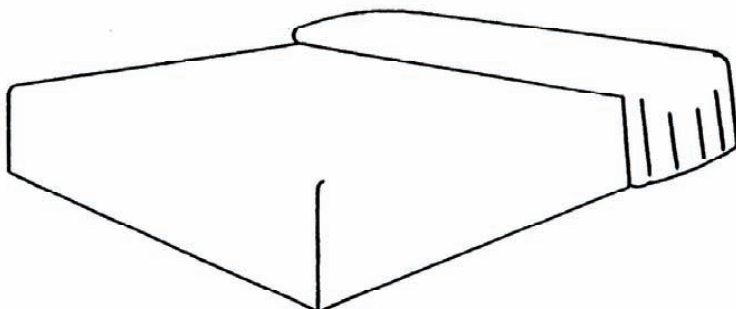
BEDSPREAD STYLES

THROW CAP

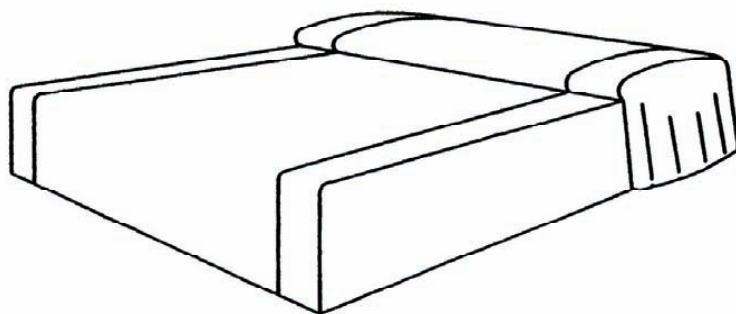
The Throw Cap bedspread has the same construction as the standard throw, however, the corners are cut and sewn closed.

- Bedspread drops extend to floor
- Standard pillow tuck approximately 16" included in length
- Poly/cotton backing
- Standard 7 ounce fill with optional 8 or 10 ounce

Shown here is a seamless bedspread made with 126" fabric. The maximum total finished length is 118" with a 7 ounce fill.



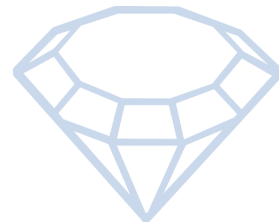
Shown here is a bedspread made with inserts from 54" fabric. The pattern is not matched at the seams.



Standard coverlets are ordered at the same width and length specified, but with a 13" drop.

STANDARD BEDSPREAD SIZES

	Width	Length	Drop
<i>Twin (extra long)</i>	39"	80"	20"
<i>Double (extra long)</i>	54"	80"	20"
<i>Queen</i>	60"	80"	20"
<i>Dual King</i>	76"	80"	20"
<i>Cal King</i>	72"	84"	20"



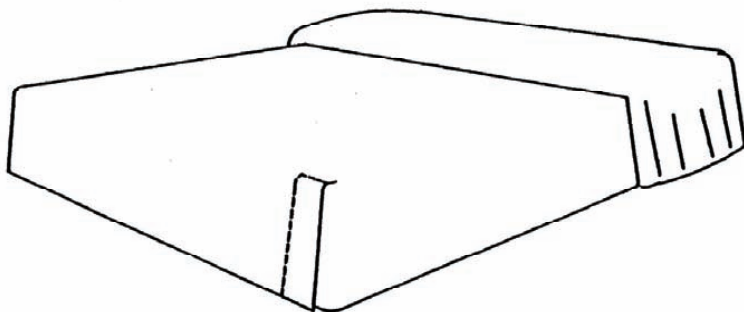
BEDSPREAD STYLES

THROW WATERFALL

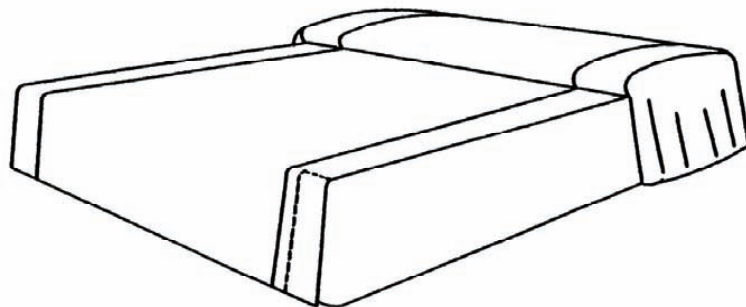
The Waterfall bedspread has the same construction as the standard throw, however, the corners are split to the mattress edge. The side drops wrap around the end corners of the bed and the foot drop falls over the wrap or the style effect. The foot drop is faced so the lining will not be seen from a side view.

- Bedspread drops extend to floor
- Standard pillow tuck approximately 16" included in length
- Poly/cotton backing
- Standard 7 ounce fill with optional 8 or 10 ounce

Shown here is a seamless bedspread made with 126" fabric. The maximum total finished length is 118" with a 7 ounce fill.



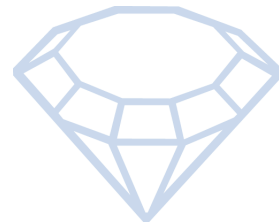
Shown here is a bedspread made with inserts from 54" fabric. The pattern is not matched at the seams.



Standard coverlets are ordered at the same width and length specified, but with a 13" drop.

STANDARD BEDSPREAD SIZES

	Width	Length	Drop
<i>Twin (extra long)</i>	39"	80"	20"
<i>Double (extra long)</i>	54"	80"	20"
<i>Queen</i>	60"	80"	20"
<i>Dual King</i>	76"	80"	20"
<i>Cal King</i>	72"	84"	20"



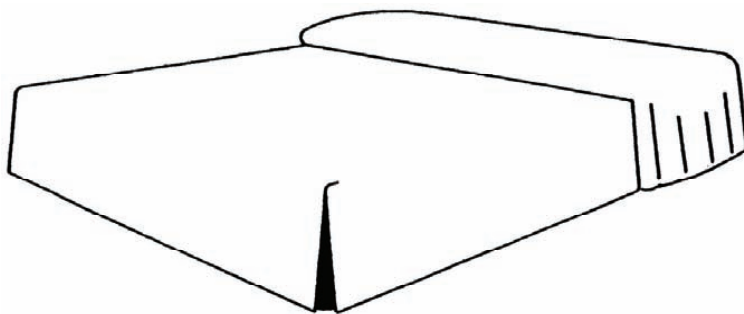
BEDSPREAD STYLES

THROW – OPEN CORNERS WITH GUSSETS

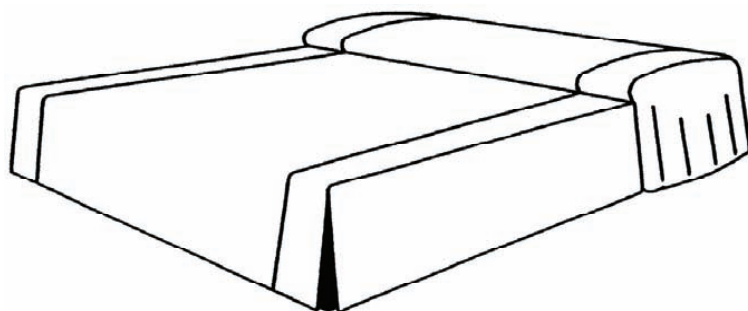
The Throw, Open Corners with Gussets bedspread has the same construction as the standard throw, however, the corners are split to the mattress edge and gussets sewn behind the corners.

- Bedspread drops extend to floor
- Standard pillow tuck approximately 16" included in length
- Poly/cotton backing
- Standard 7 ounce fill with optional 8 or 10 ounce

Shown here is a seamless bedspread made with 126" fabric. The maximum total finished length is 118" with a 7 ounce fill.



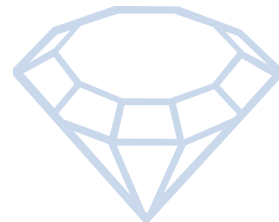
Shown here is a bedspread made with inserts from 54" fabric. The pattern is not matched at the seams.



Standard coverlets are ordered at the same width and length specified, but with a 13" drop.

STANDARD BEDSPREAD SIZES

	Width	Length	Drop
<i>Twin (extra long)</i>	39"	80"	20"
<i>Double (extra long)</i>	54"	80"	20"
<i>Queen</i>	60"	80"	20"
<i>Dual King</i>	76"	80"	20"
<i>Cal King</i>	72"	84"	20"



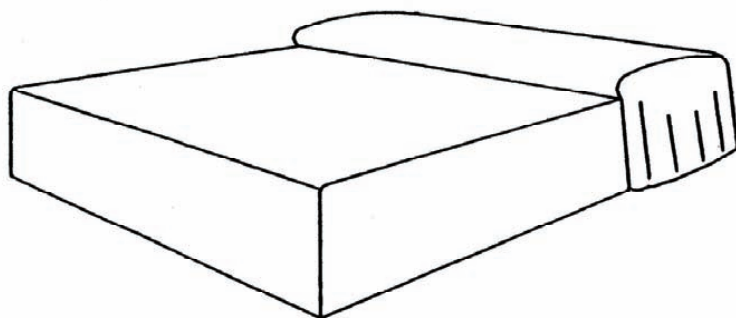
BEDSPREAD STYLES

STANDARD FITTED CAP

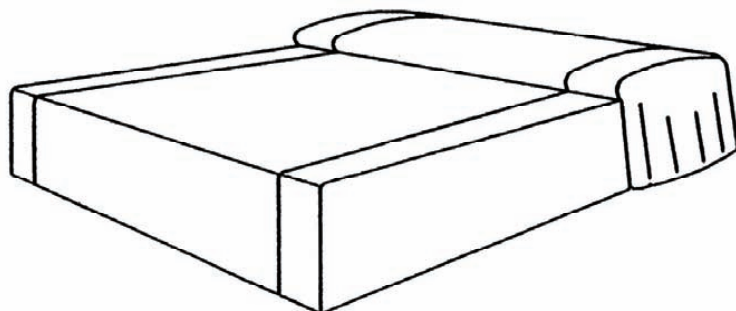
The Fitted Cap bedspread is made such that the seams match the mattress edges and the corners are cut and sewn closed.

- Bedspread drops extend to floor
- Attached foot drop is horizontally pattern matched with top of bedspread
- Standard pillow tuck approximately 16" included in length
- Poly/cotton backing
- Standard 7 ounce fill with optional 8 or 10 ounce

Shown here is a seamless bedspread made with 126" fabric. The maximum total finished length is 118" with a 7 ounce fill.



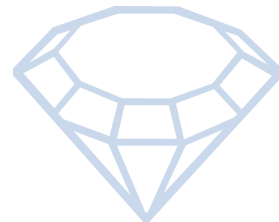
Shown here is a bedspread made with inserts from 54" fabric. The pattern is not matched at the seams.



Standard coverlets are ordered at the same width and length specified, but with a 13" drop.

STANDARD BEDSPREAD SIZES

	Width	Length	Drop
<i>Twin (extra long)</i>	39"	80"	20"
<i>Double (extra long)</i>	54"	80"	20"
<i>Queen</i>	60"	80"	20"
<i>Dual King</i>	76"	80"	20"
<i>Cal King</i>	72"	84"	20"



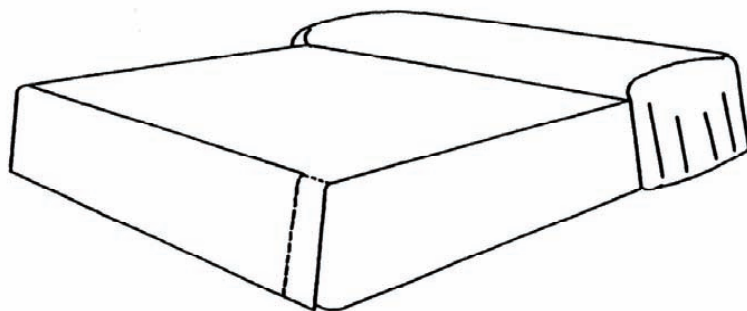
BEDSPREAD STYLES

FITTED WATERFALL

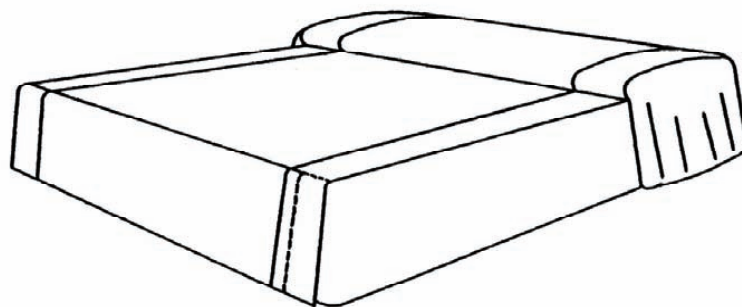
The fitted Waterfall bedspread is made such that the seams match the mattress edges and the corners are split to the mattress edge. The side drop wraps around the end corners of the bed and the foot drop is faced so the lining will not be seen from a side view.

- Bedspread drops extend to floor
- Attached foot drop is horizontally pattern matched with top of bedspread
- Standard pillow tuck approximately 16" included in length
- Poly/cotton backing
- Standard 7 ounce fill with optional 8 or 10 ounce

Shown here is a seamless bedspread made with 126" fabric. The maximum total finished length is 118" with a 7 ounce fill.



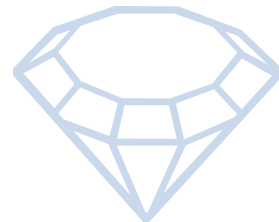
Shown here is a bedspread made with inserts from 54" fabric. The pattern is not matched at the seams.



Standard coverlets are ordered at the same width and length specified, but with a 13" drop.

STANDARD BEDSPREAD SIZES

	Width	Length	Drop
<i>Twin (extra long)</i>	39"	80"	20"
<i>Double (extra long)</i>	54"	80"	20"
<i>Queen</i>	60"	80"	20"
<i>Dual King</i>	76"	80"	20"
<i>Cal King</i>	72"	84"	20"

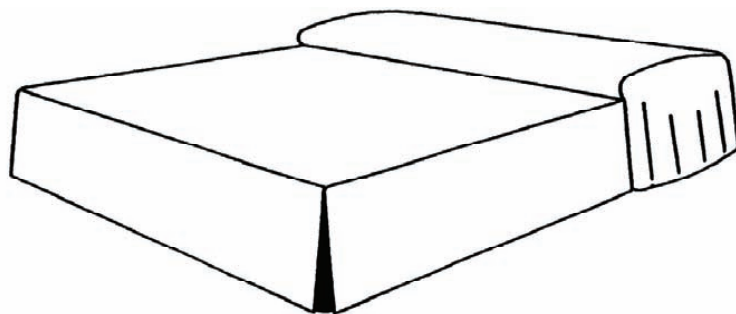


BEDSPREAD STYLES

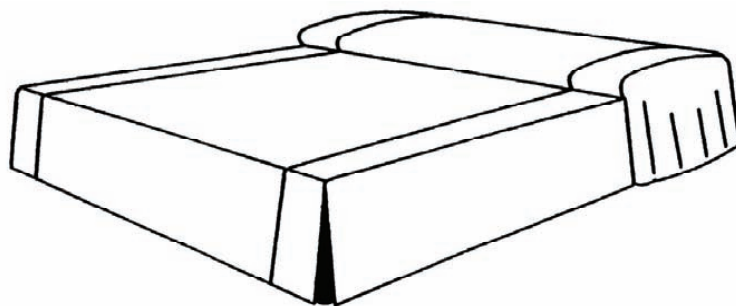
FITTED – OPEN CORNERS WITH GUSSETS

The Fitted, Open Corners with Gussets bedspread is made such that the seams match the mattress edges and the corners are split to the mattress edge and gussets sewn behind the corners.

- Bedspread drops extend to floor
- Attached foot drop is horizontally pattern matched with top of bedspread
- Standard pillow tuck approximately 16" included in length
- Poly/cotton backing
- Standard 7 ounce fill with optional 8 or 10 ounce



Shown here is a seamless bedspread made with 126" fabric. The maximum total finished length is 118" with a 7 ounce fill.



Shown here is a bedspread made with inserts from 54" fabric. The pattern is not matched at the seams.

Standard coverlets are ordered at the same width and length specified, but with a 13" drop.

STANDARD BEDSPREAD SIZES

	Width	Length	Drop
<i>Twin (extra long)</i>	39"	80"	20"
<i>Double (extra long)</i>	54"	80"	20"
<i>Queen</i>	60"	80"	20"
<i>Dual King</i>	76"	80"	20"
<i>Cal King</i>	72"	84"	20"